

# Final Drives Small

## Standard features

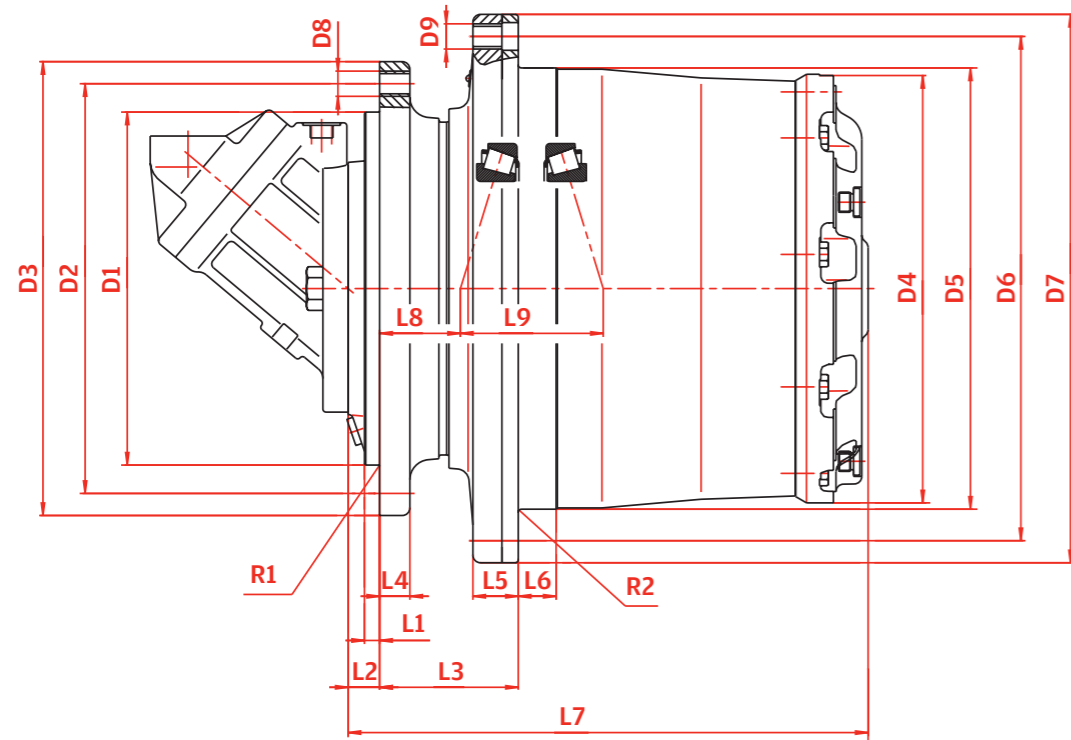
- › Compact structure
- › High performance
- › 3-7 Planetary wheels per stage
- › Notchless ground tooth root
- › Different ratios
- › Integrated disc-brake
- › High availability by highest teeth and production quality

## Proven applications

- › Track drives
- › Chain drives
- › Wheel drives
- › Reel and winchdrives
- › Road cutter drum drives

## Special executions on request

- › Mechanical disconnect device



		F5	F10A	F13A	FD20	F30
Output torque <sup>2</sup>	<b>kNm</b>	5	10	13	20	30
Ratio <sup>3</sup>	<b>i</b>	30 35 53	35 51 65	93 (41) <sup>1</sup> 108 122 140 178 229	81 90 101 137 171 228	61 (19) <sup>1</sup> 66 (32) <sup>1</sup> 81 90 101 114 121 137 171 228 305

### CAPACITY OF BEARING

C-dynamic	<b>kN</b>	194	132	132	194/194	132/194
Co-static	<b>kN</b>	315	255	255	325/315	255/325
Weigh <sup>5</sup>	<b>kg</b>	43	45	50	72	94

### MULTI-DISK BRAKE

Locking torque	<b>Nm</b>		200	200	300	300 (255; 400) <sup>4</sup>
Release pressure min.	<b>bar</b>		17	17	16	16 (16; 22) <sup>4</sup>
Hydraulic motor plug in fixed	<b>ccm</b>		28 30 32	28 30 32	28 30 32	28 30 32 40 45 56 60 63
plug in variable	<b>ccm</b>		28 45	28 45	28 45	28 45 55 60

### DIMENSIONS

L 1	<b>mm</b>	8	10	10	10	13
L 2	<b>mm</b>	8	30	30	41	25/22
L 3	<b>mm</b>	70	72	72	75	75
L 4	<b>mm</b>	19	13.5	13.5	15	15
L 5	<b>mm</b>	18.5	15	15	28	29
L 6	<b>mm</b>	20	16	16	25	25
L 7	<b>mm</b>	220	230	255	300	323/320
L 8	<b>mm</b>	38.4	28	28	15.3	28.5
L 9	<b>mm</b>	80.2	79	79	86.3	89
R 1	<b>mm</b>	0.6	0.6	0.6	2.5	2.5
R 2	<b>mm</b>	0.6	0.6	0.6	2.5	2.5
D 1	<b>mm</b>	165	190	190	240	240
D 2	<b>mm</b>	192	230	230	275	275
D 3	<b>mm</b>	215	256	256	304	304
D 4	<b>mm</b>	190	216	216	250	269
D 5	<b>mm</b>	204	220	220	270	270
D 6	<b>mm</b>	232	260	260	305	305
D 7	<b>mm</b>	255	290	290	335	335
D 8	<b>mm</b>	M12x1.75	M16x2	M16x2	M16x2	M16x2
D 9	<b>mm</b>	M12x1.75	M16x2	M16x2	M16x2	M16x2
Qty. D 8 / D 9		9/9	12/8	12/8	18/18	18/18

1) 2-stage  
 2) Stated torques are peak values for short duration  
 3) Other ratios on demand  
 4) Optional brake torques  
 5) Without Hydraulic motor